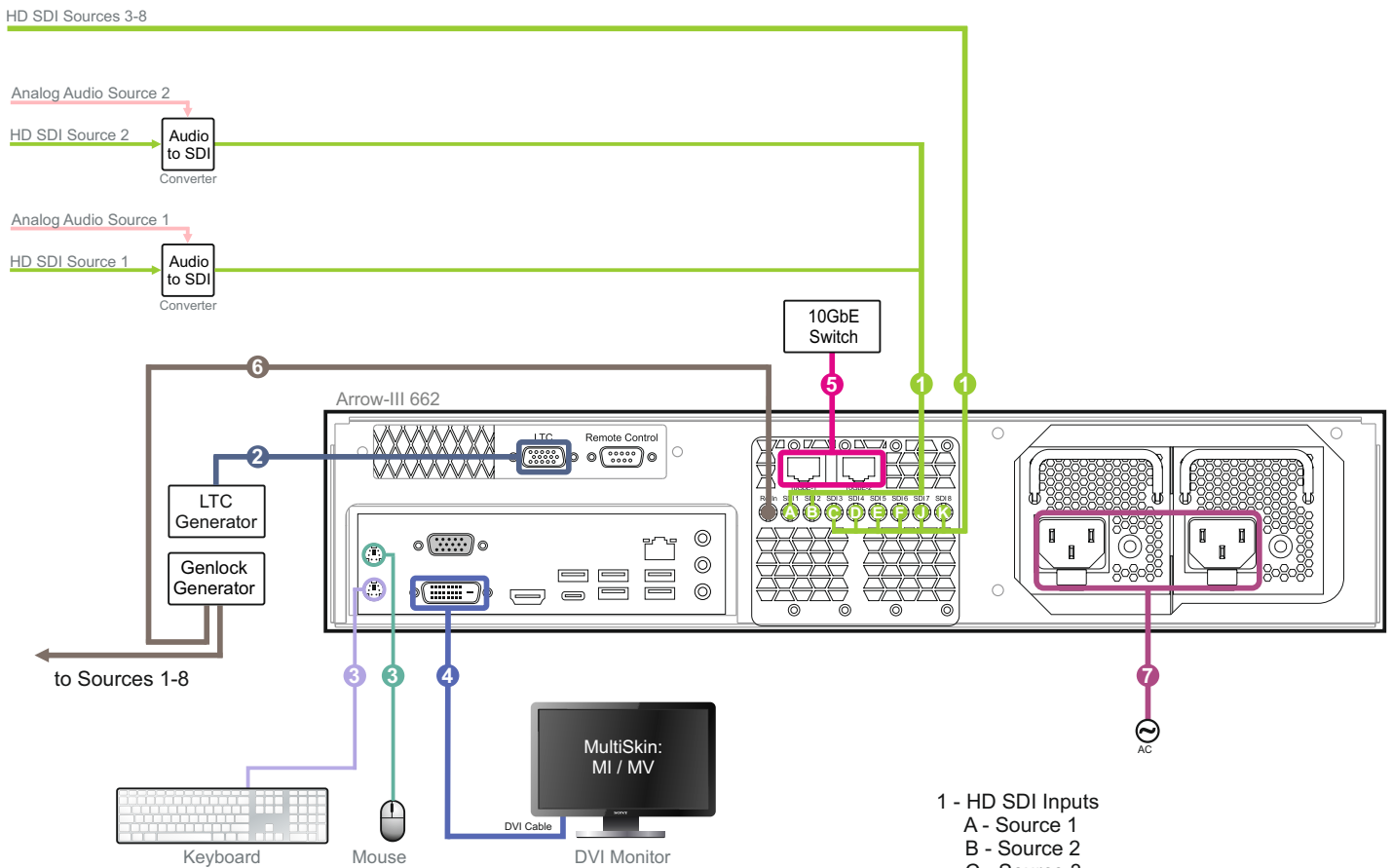
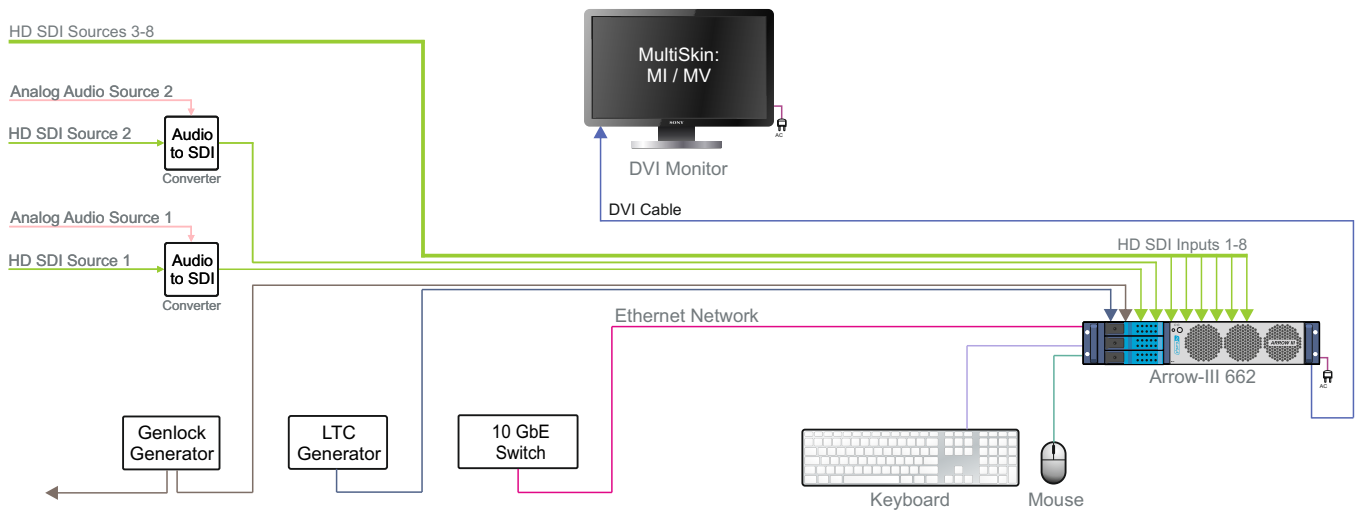


Arrow-III 662. 8-channel HD Recording for NLE configuration with MS on Graphics Port 1

8-channel Recording for NLE. 8 HD SDI inputs. Graphics Port 1 - uses MultiSkin for displaying Main Interface (MI) or Multiviewer (MV)



- 1 - HD SDI Inputs
 - A - Source 1
 - B - Source 2
 - C - Source 3
 - D - Source 4
 - E - Source 5
 - F - Source 6
 - J - Source 7
 - K - Source 8
- 2 - LTC Input
- 3 - Keyboard and Mouse
- 4 - DVI 1920 x 1080 - MultiSkin: MI / MV
- 5 - 10 GbE
- 6 - Reference Input
- 7 - AC110/220 V 60/50Hz

Use Slomo 900.003.043.10 Cable for BNC Connections 1, 8

Use Slomo 900.020.040.01 Cable for LTC Input Connection