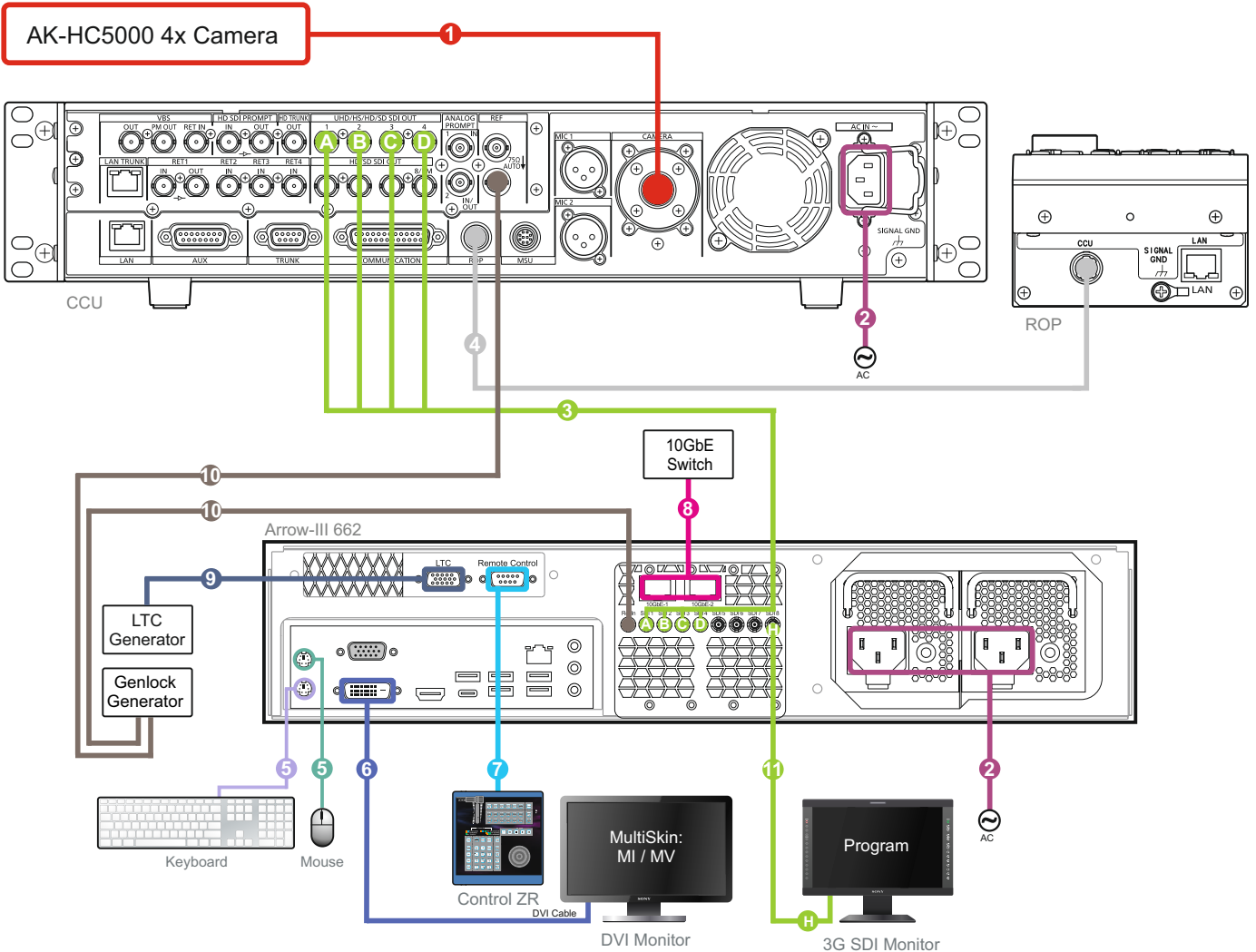
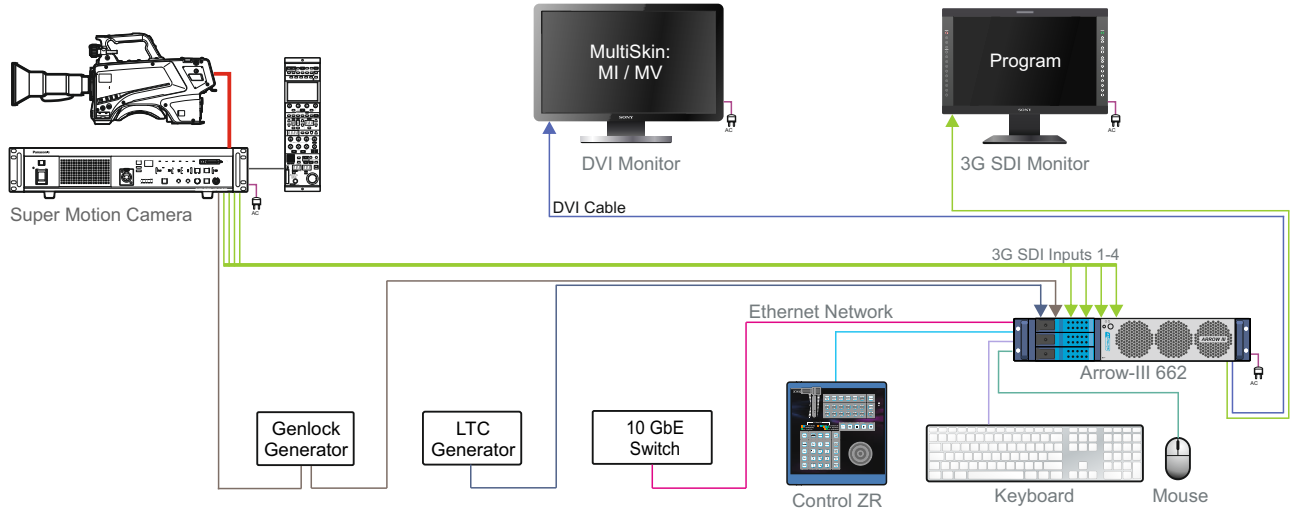


Arrow-III 662. SuperMo Replay configuration with Panasonic AK-HC5000 (200/240 fps mode)

Panasonic AK-HC5000 camera. DCT-based i-frame codec. 4 3G SDI inputs.

PGM Output can be configured as 60i/60p. Graphics Port - uses MultiSkin for displaying Main Interface (MI) or Multiviewer (MV).



- 1 - Optical fiber multi cable
- 2 - AC110/220 V 60/50Hz
- 3 - 3G SDI Inputs 1 - 4
- 4 - Remote Operation Panel connection
- 5 - Keyboard and Mouse
- 6 - DVI 1920 x 1080 - MultiSkin: Main Interface/ Multiviewer
- 7 - Control Z Remote Control
- 8 - 10 GbE
- 9 - LTC Input
- 10 - Reference Input
- 11 - 3G SDI Output H - Program

