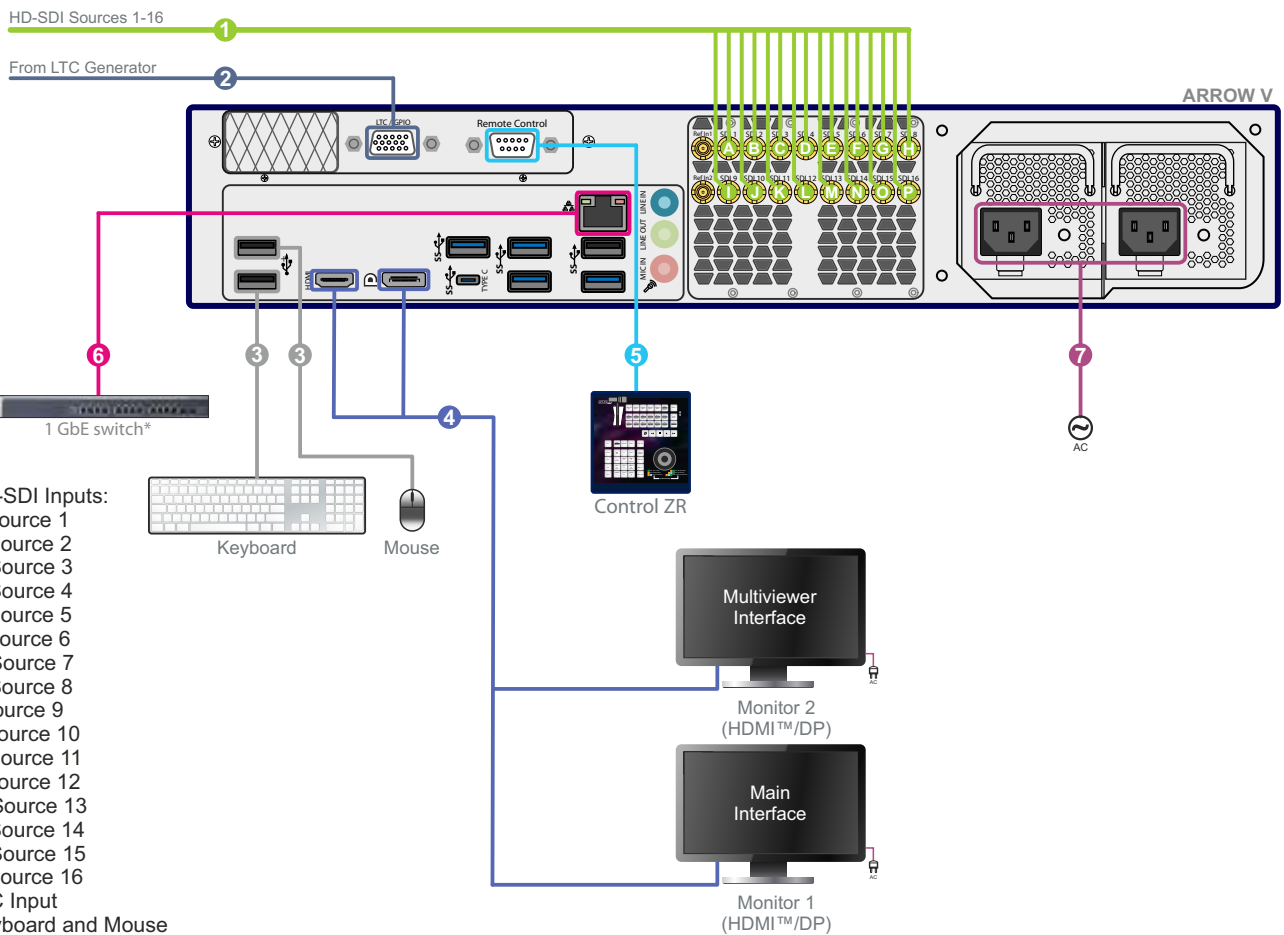
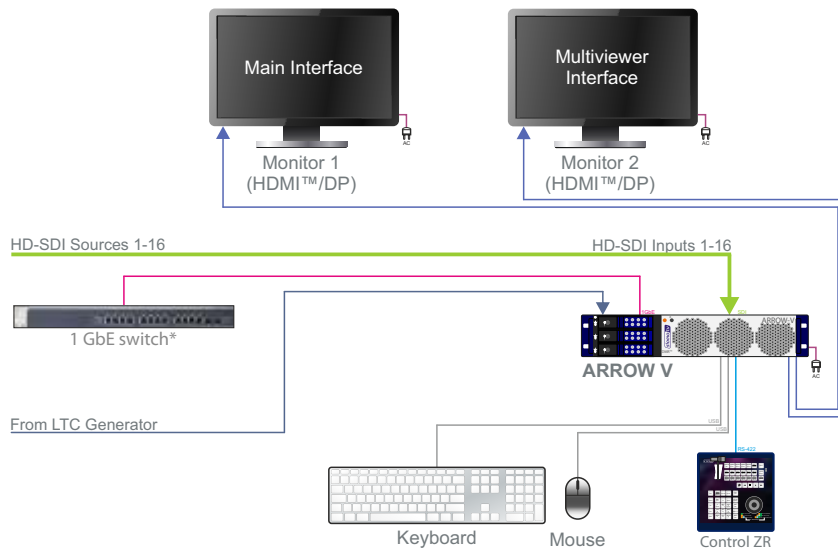


Arrow V

16-channel HD Recording for NLE configuration

16-channel Recording for NLE. 16 HD SDI Inputs.
 Graphics Port 1 (HDMI™/DP) – Main Interface, Graphics Port 2 (HDMI™/DP) – Multiviewer Interface.
 Redundant Power Supply Option.



- 1 – HD-SDI Inputs:
 - A - Source 1
 - B - Source 2
 - C - Source 3
 - D - Source 4
 - E - Source 5
 - F - Source 6
 - G - Source 7
 - H - Source 8
 - I - Source 9
 - J - Source 10
 - K - Source 11
 - L - Source 12
 - M - Source 13
 - N - Source 14
 - O - Source 15
 - P - Source 16
- 2 – LTC Input
- 3 – Keyboard and Mouse
- 4 – Graphics Ports:
 - Monitor 1 – Main Interface (HDMI™/DP 1920 x 1080)
 - Monitor 2 – Multiviewer Interface (HDMI™/DP 1920 x 1080)
- 5 – Remote control – Control ZR
- 6 – 1 GbE
- 7** – AC 110/220V 60/50Hz

Use Slomo 900 .003. 043. 10 Cable for BNC Connections 1

Use Slomo 900 .020. 040. 01 Cable for LTC Input Connection

* – not included
 ** – redundant power supply option