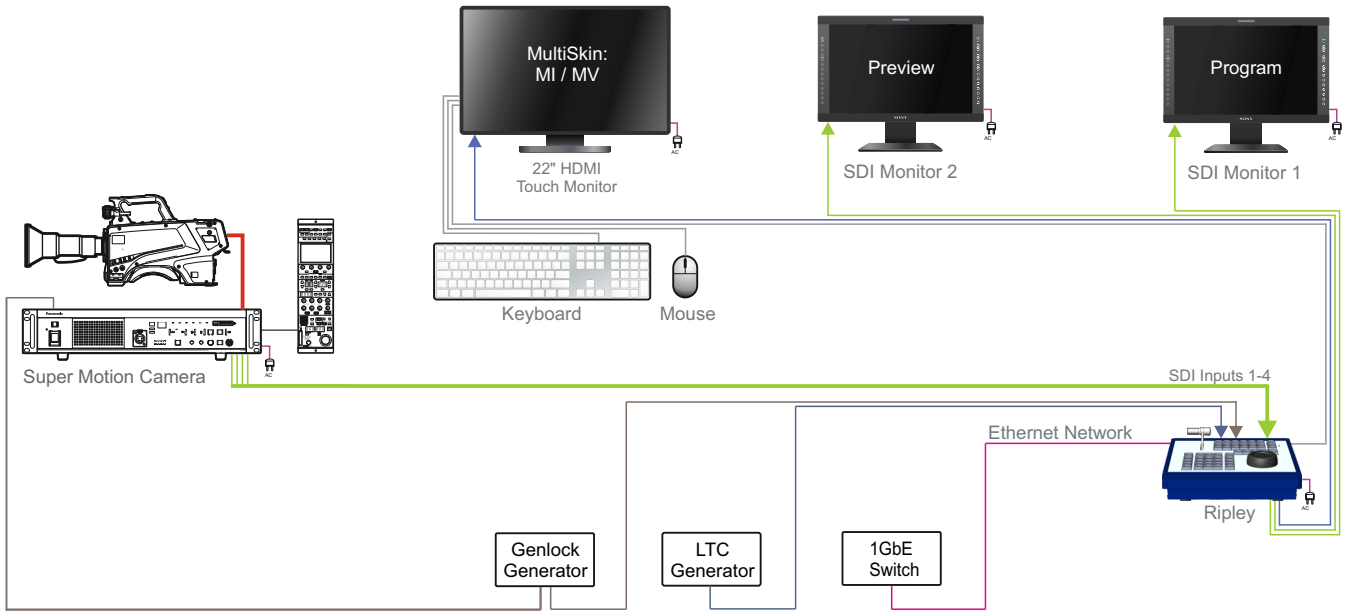


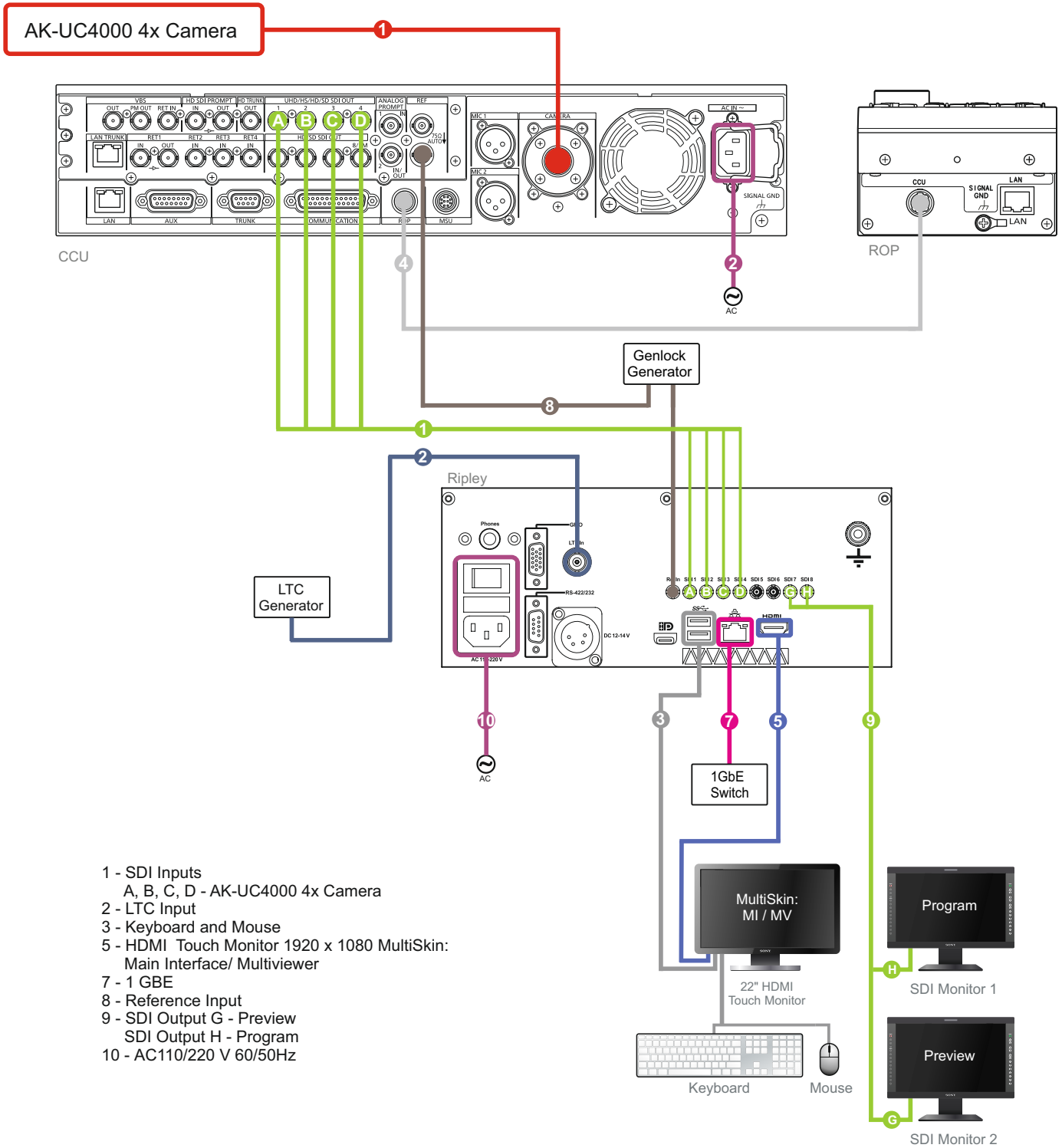
# Ripley 442 + Panasonic AK-UC4000 Camera 4x Mode

Replay configuration for Panasonic AK-UC4000 camera. i-frame DCT codec.  
4 input channels. SDI output G is used for Preview (PVW).  
Graphics Port (Touch Screen) - uses MultiSkin for displaying Main Interface (MI) or Multiviewer (MV).



# Ripley 442 + Panasonic AK-UC4000 Camera 4x Mode

Connection diagram



- 1 - SDI Inputs  
A, B, C, D - AK-UC4000 4x Camera
- 2 - LTC Input
- 3 - Keyboard and Mouse
- 5 - HDMI Touch Monitor 1920 x 1080 MultiSkin:  
Main Interface/ Multiviewer
- 7 - 1 GBE
- 8 - Reference Input
- 9 - SDI Output G - Preview  
SDI Output H - Program
- 10 - AC110/220 V 60/50Hz

Use Slomo 900.003.043.10 Cable  
for BNC Connections 1, 8, 9

Use Slomo 900.020.040.01 Cable  
for LTC Input Connection