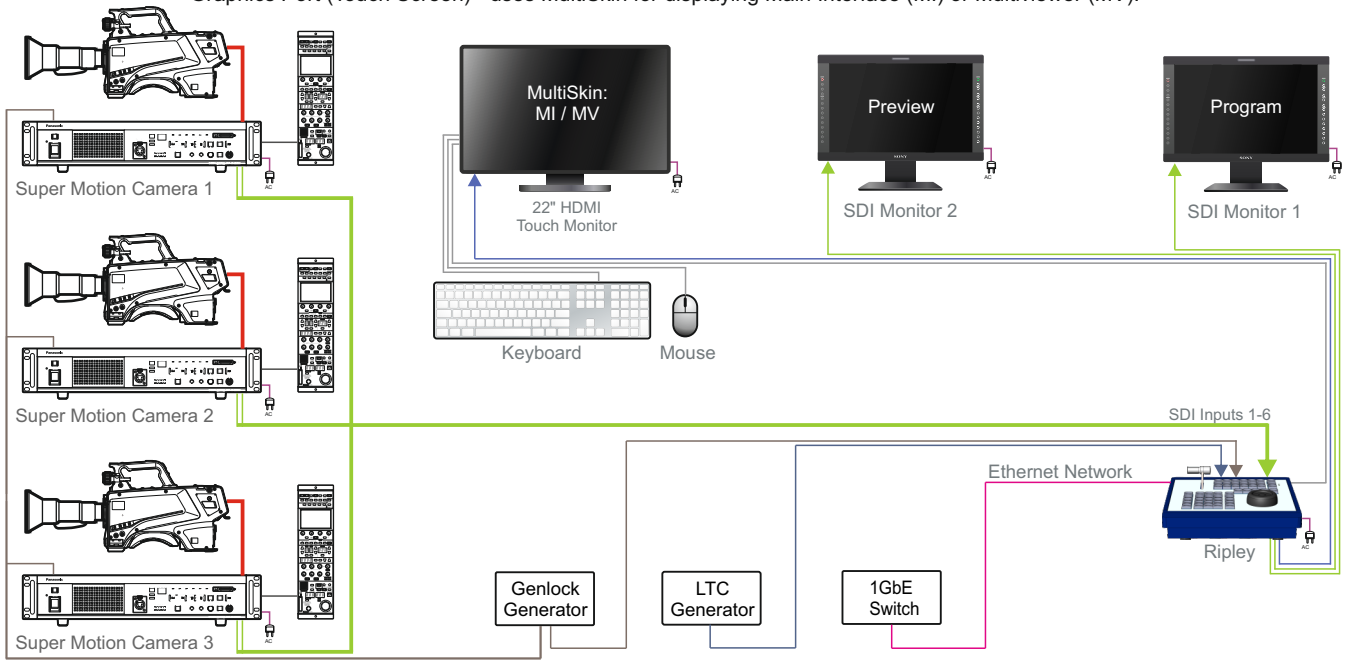


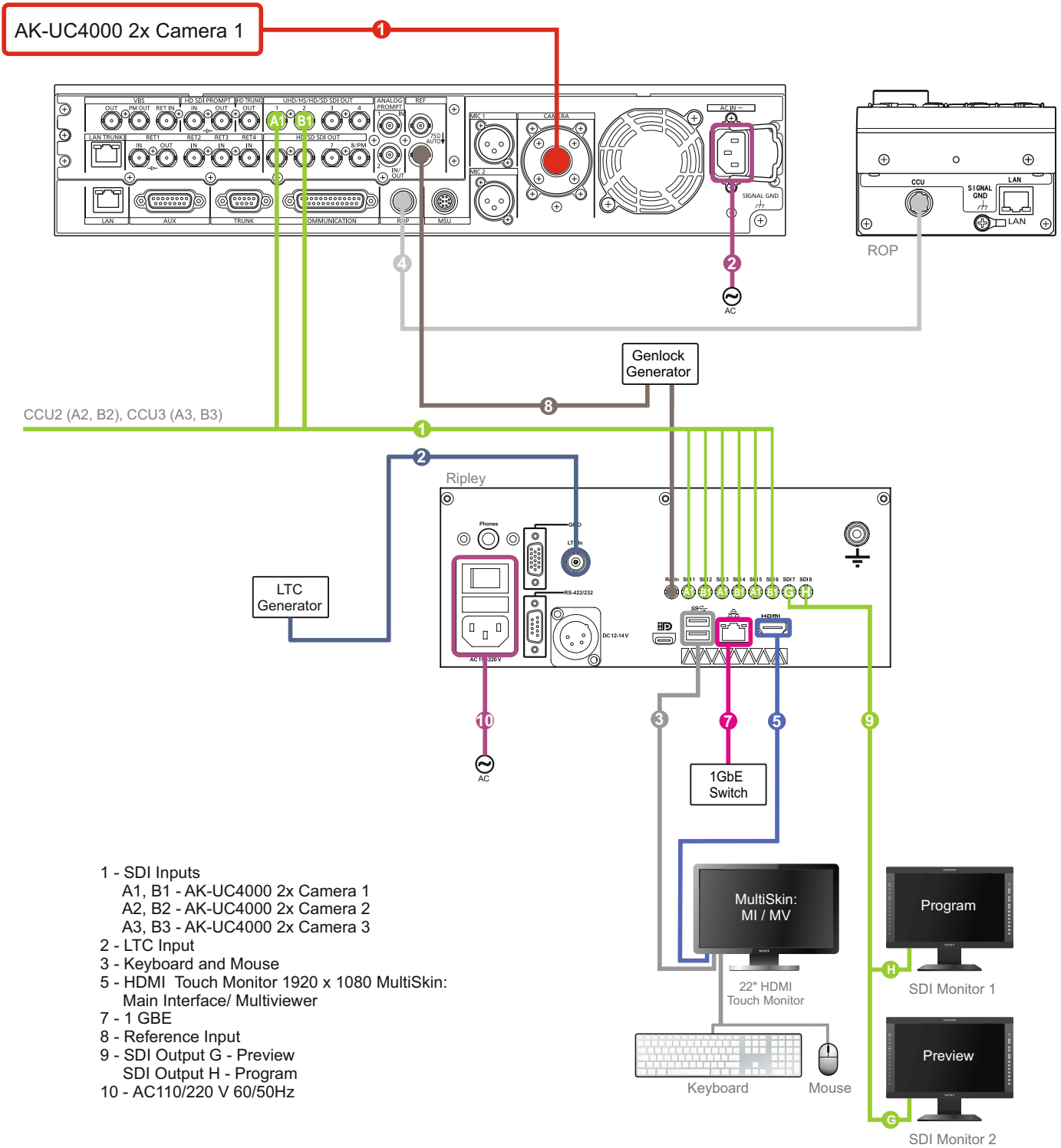
Ripley 662 + Three Panasonic AK-UL4000 Cameras 2x Mode

Replay configuration for Three Panasonic AK-UL4000 cameras. i-frame DCT codec.
6 input channels. SDI output G is used for Preview (PVW).
Graphics Port (Touch Screen) - uses MultiSkin for displaying Main Interface (MI) or Multiviewer (MV).



Ripley 662 + Three Panasonic AK-UL4000 Cameras 2x Mode

Connection diagram



Use Slomo 900.003.043.10 Cable for BNC Connections 1, 8, 9

Use Slomo 900.020.040.01 Cable for LTC Input Connection