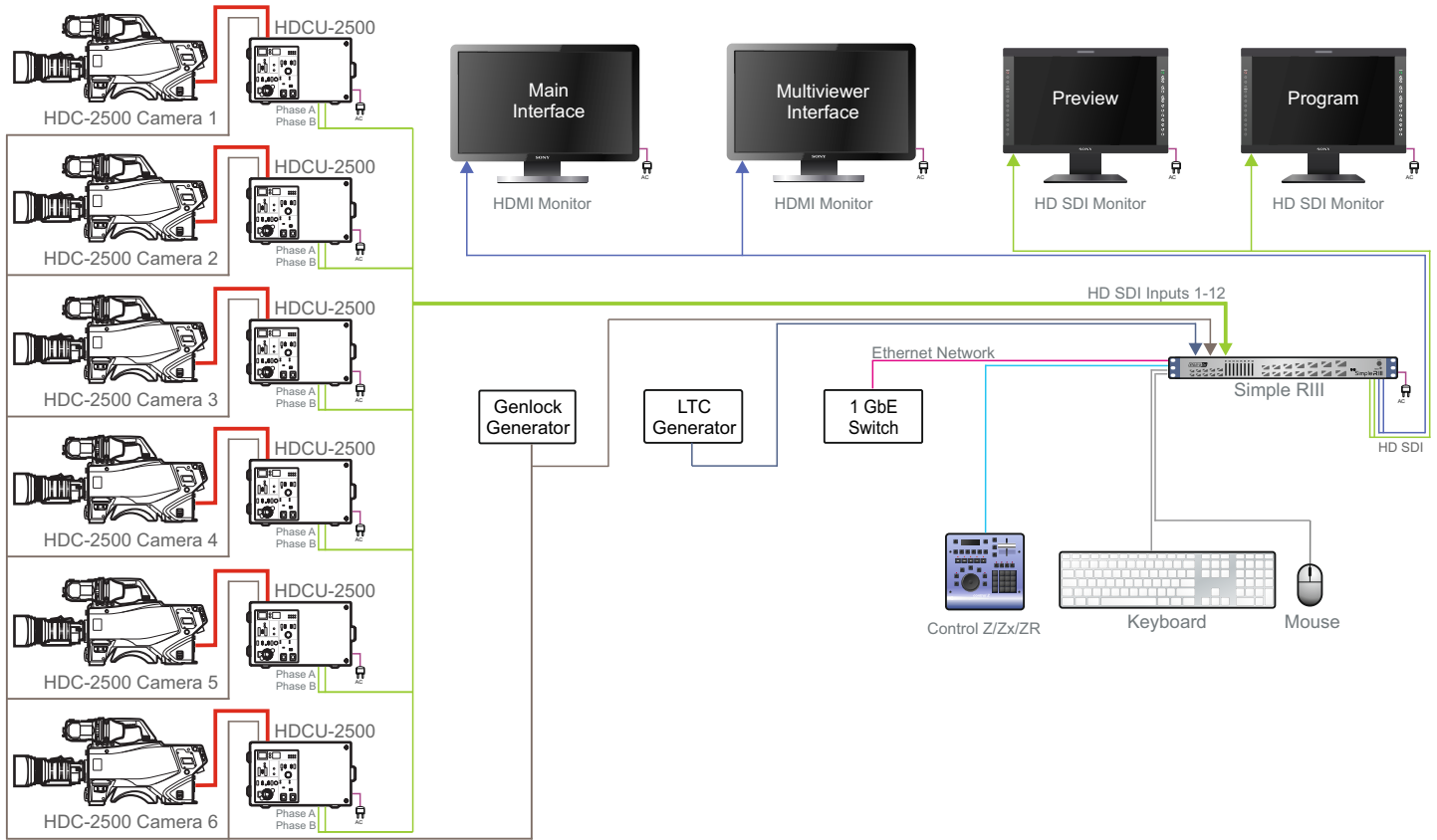


Simple RIII + Six 2x SuperMo Sony HDC-2500 cameras

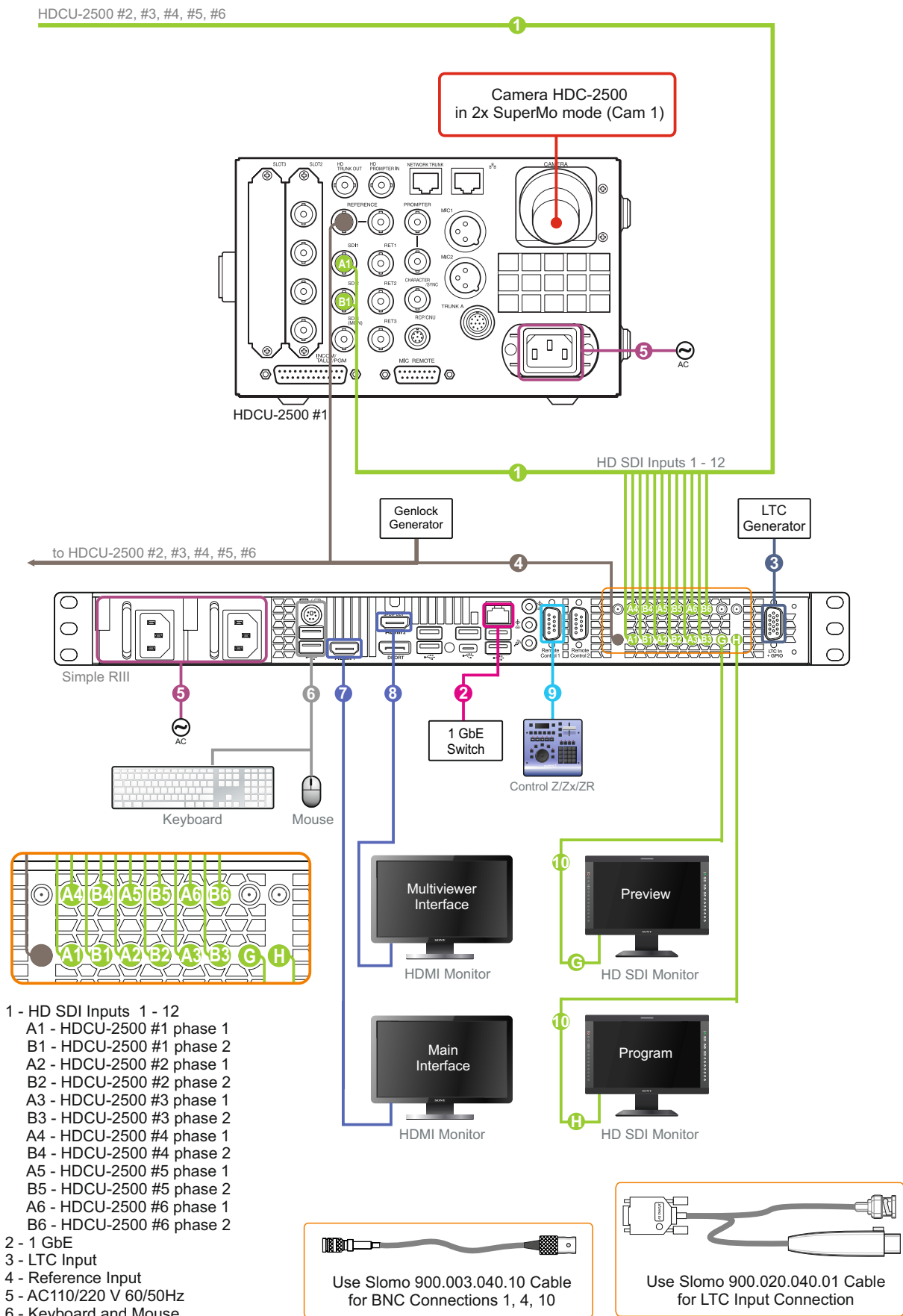
Replay configuration for six 2x Super Motion cameras Sony HDC-2500.

Each SuperMo camera - two HD SDI connections: Phase A, Phase B. SDI output H - Program. SDI output G - Preview.
 Graphics Port 1 - Main Interface. Graphics Port 2 - Multiviewer Interface. With Redundant Power Supply Option.



Simple RIII + Six 2x SuperMo Sony HDC-2500 cameras

Connection diagram



- 1 - HD SDI Inputs 1 - 12
- A1 - HDCU-2500 #1 phase 1
- B1 - HDCU-2500 #1 phase 2
- A2 - HDCU-2500 #2 phase 1
- B2 - HDCU-2500 #2 phase 2
- A3 - HDCU-2500 #3 phase 1
- B3 - HDCU-2500 #3 phase 2
- A4 - HDCU-2500 #4 phase 1
- B4 - HDCU-2500 #4 phase 2
- A5 - HDCU-2500 #5 phase 1
- B5 - HDCU-2500 #5 phase 2
- A6 - HDCU-2500 #6 phase 1
- B6 - HDCU-2500 #6 phase 2
- 2 - 1 GbE
- 3 - LTC Input
- 4 - Reference Input
- 5 - AC110/220 V 60/50Hz
- 6 - Keyboard and Mouse
- 7 - HDMI 1920 x 1080 - Main Interface
- 8 - HDMI 1920 x 1080 Multiviewer Interface
- 9 - Control Z/Zx/ZR Remote Control
- 10 - SDI Outputs:
 - G - Preview
 - H - Program