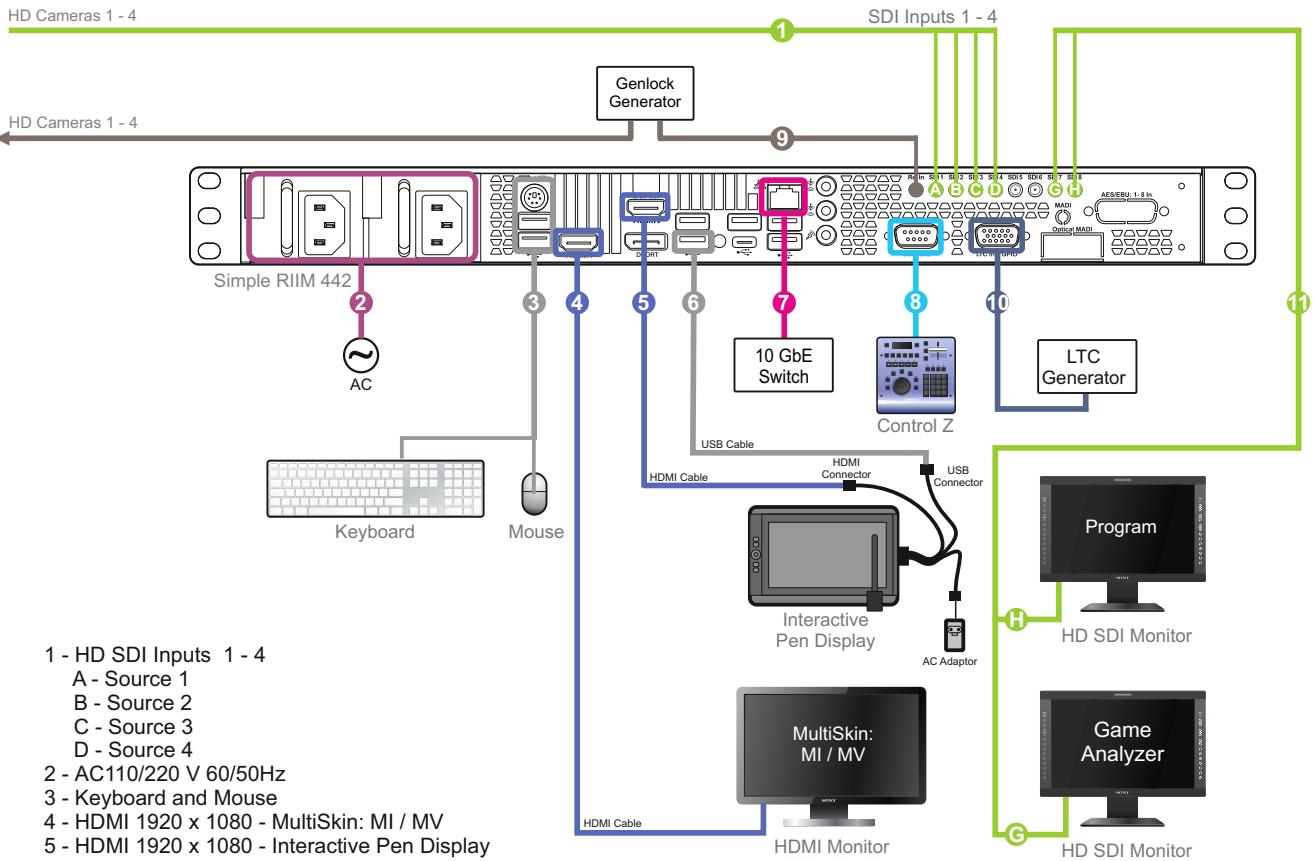
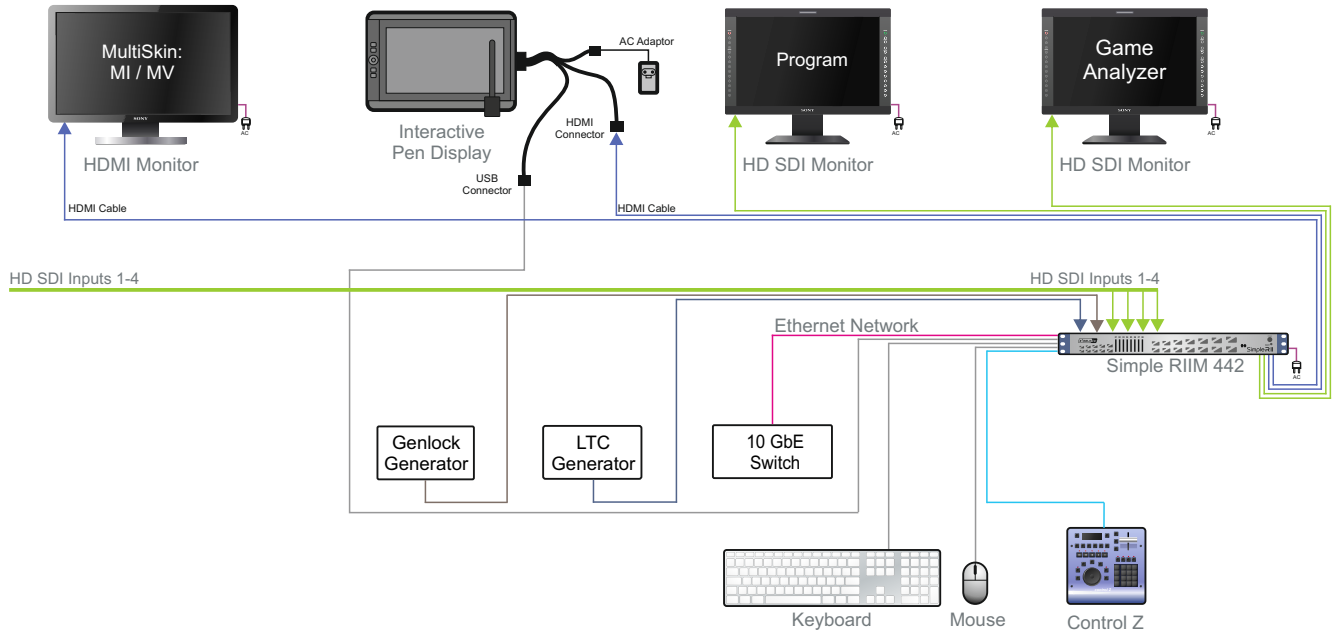


Simple R IIM 442. 4-channel HD Replay configuration with GA Interface on second Graphics Port and GA on second SDI Output.

4 HD SDI inputs. DVCPRO HD / DCT-based I-frame codec.

Graphics Port 1 – Multiskin for displaying Main Interface (MI) or Multiviewer (MV).

Graphics Port 2 is used for connecting Wacom tablet displaying Game Analyzer (GA) interface. Redundant Power Supply option.



- 1 - HD SDI Inputs 1 - 4
 - A - Source 1
 - B - Source 2
 - C - Source 3
 - D - Source 4
- 2 - AC110/220 V 60/50Hz
- 3 - Keyboard and Mouse
- 4 - HDMI 1920 x 1080 - MultiSkin: MI / MV
- 5 - HDMI 1920 x 1080 - Interactive Pen Display
- 6 - USB Connection for Interactive Pen Display
- 7 - 10 GbE
- 8 - Control Z Remote Control
- 9 - Reference Input
- 10 - LTC Input
- 11 - SDI Output
 - G - Game Analyzer
 - H - Program

