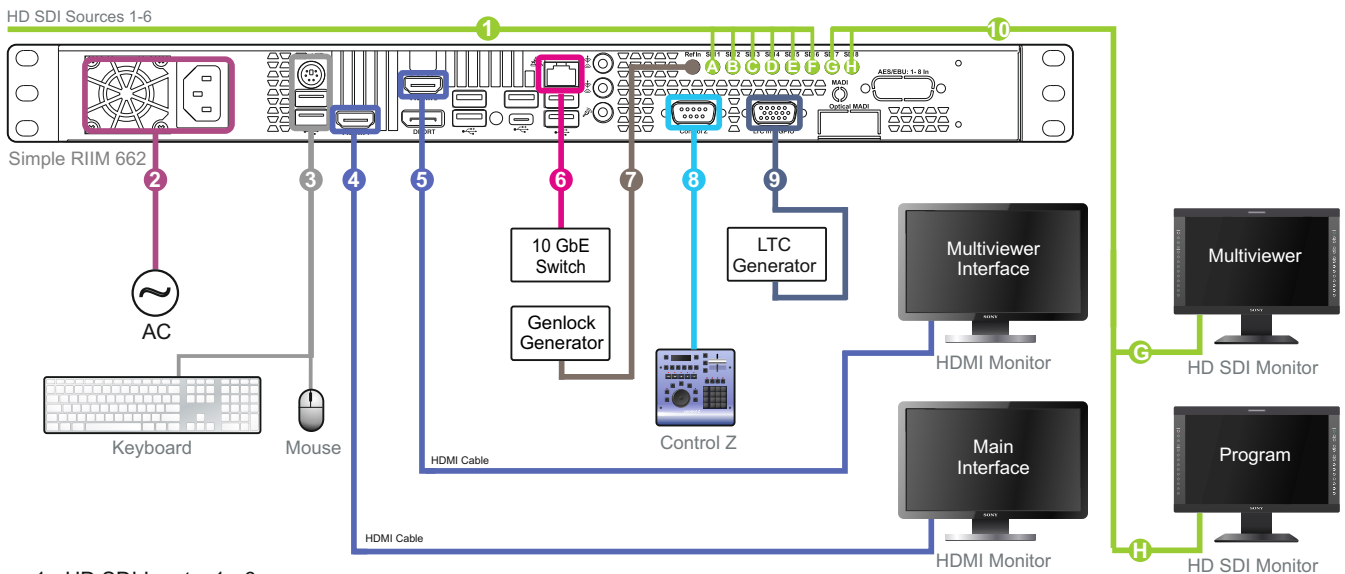
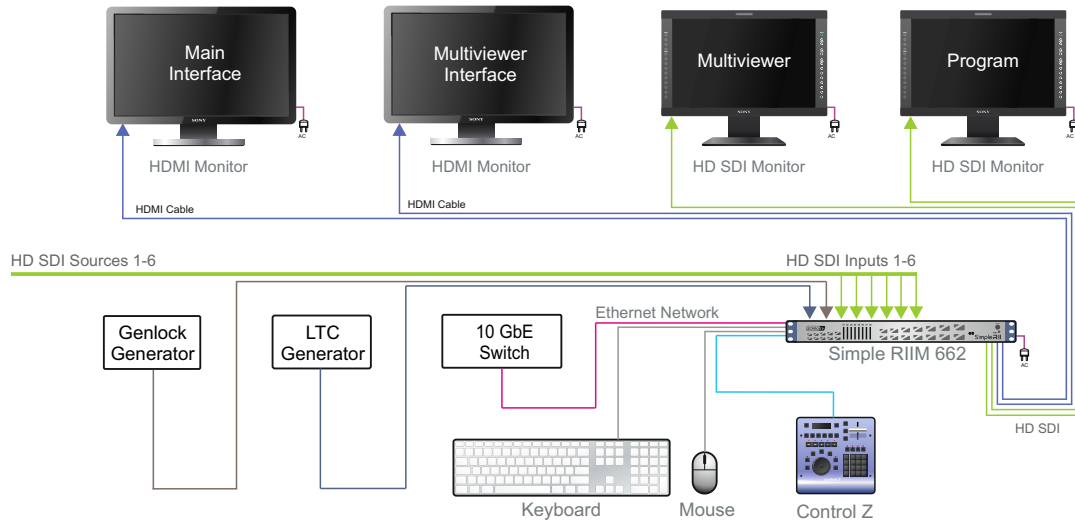


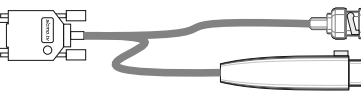
## Simple R IIM 662. 6-channel HD Replay configuration with separate Program and Multiviewer monitors

6 HD SDI inputs. DCT-based I-frame codec. Graphics Port 1 – Main Interface, Graphics Port 2 – Multiviewer Interface.  
 HD SDI Output G is used for Multiviewer, Output H is used for Program



- 1 - HD SDI Inputs 1 - 6
  - A - Source 1
  - B - Source 2
  - C - Source 3
  - D - Source 4
  - E - Source 5
  - F - Source 6
- 2 - AC110/220 V 60/50Hz
- 3 - Keyboard and Mouse
- 4 - HDMI 1920 x 1080 - Main Interface
- 5 - HDMI 1920 x 1080 - Multiviewer Interface
- 6 - 10 GBE
- 7 - Reference Input
- 8 - Control Z Remote Control
- 9 - LTC Input
- 10 - HD SDI Outputs:
  - H - Program
  - G - Multiviewer

 Use Slomo 900.003.043.10 Cable for BNC Connections 1, 7,10

 Use Slomo 900.020.100.01 Cable for LTC Input Connection